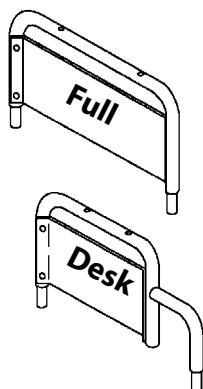


# Armrests

## Standard Detachable Arms



### Everest & Jennings Arms

101-350	Full, L or R	\$29.95 ea.
102-150	Desk, Lt.	\$29.95 ea.
102-250	Desk, Rt.	\$29.95 ea.

### Detachable Arms

#### Travler, Traveler Recliner & Traveler XD

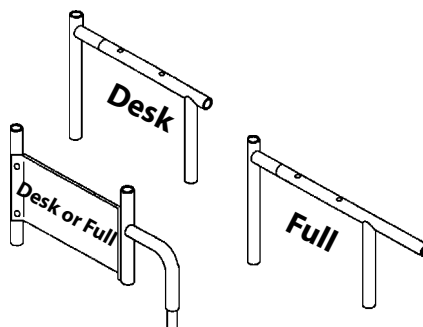
101-113	Full, R & L	\$50.00 pr.
102-113	Desk, R & L	\$50.00 pr.

### Detachable Arms

#### Vista IC

101-114	Full, R & L	\$50.00 pr.
102-114	Desk, R & L	\$50.00 pr.

## Adjustable Height Detachable Arms



### Everest & Jennings Arms

101-151	Full, Lt.	\$39.95 ea.
101-251	Full, Rt.	\$39.95 ea.
102-151	Desk, Lt.	\$42.00 ea.
102-251	Desk, Rt.	\$42.00 ea.

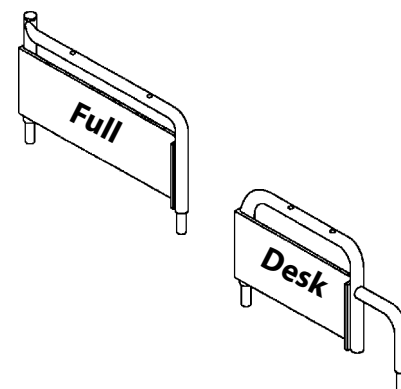
### Adjustable Height Detachable Arms Traveler, Traveler Recliner & Traveler XD

101-153	Full, R & L	\$59.95 pr.
102-153	Desk, R & L	Disc.

### Adjustable Height Detachable Arms Vista IC

102-156	Desk, R & L	\$59.95 pr.
---------	-------------	-------------

## Wrap Around Detachable Arms



### Everest & Jennings Arms

101-152	Full, Lt.	\$56.72 ea.
101-252	Full, Rt.	\$56.72 ea.
102-152	Desk, Lt.	\$56.72 ea.
102-252	Desk, Rt.	Disc.

## Invacare Conventional Arms



**NOTE:** There are many different types of detachable arms, please have the make, model and serial number when ordering detachable arms. We will help you find the arms you need. Call toll free **800-328-5343**.

### Fixed Height Full Length Arm Assembly

<b>1</b>	101-156-CL	Right, Chrome	\$74.72 ea.
	101-256-CL	Left, Chrome	\$74.72 ea.
	101-158-CL	Right, Black	\$83.62 ea.
	101-258-CL	Left, Black	\$83.62 ea.
	101-157-CL	Flip Back Right, Black	\$82.19 ea.
	101-257-CL	Flip Back Left, Black	\$82.19 ea.

### Fixed Height Desk Length Arm Assembly

<b>2</b>	102-157-CL	Right, Chrome	\$74.72 ea.
	102-257-CL	Left, Chrome	\$74.72 ea.
	102-159-CL	Right, Black	\$66.95 ea.
	102-259-CL	Left, Black	\$66.95 ea.
	102-158-CL	Flip Back Right, Black	\$74.72 ea.
	102-258-CL	Flip Back Left, Black	\$74.72 ea.

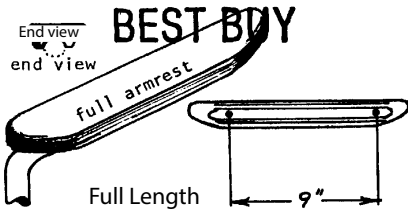
### Adjustable Height Full Length Arm Assembly

<b>3</b>	101-154-CL	Right, Black	\$91.95 ea.
	101-254-CL	Left, Black	\$91.95 ea.
	101-155-CL	Right, Chrome	\$87.60 ea.
	101-255-CL	Left, Chrome	\$87.60 ea.

### Adjustable Height Desk Length Arm Assembly

<b>4</b>	102-154-CL	Right, Black	\$75.84 ea.
	102-254-CL	Left, Black	\$75.84 ea.
	102-155-CL	Right, Chrome	\$119.95 ea.
	102-255-CL	Left, Chrome	\$119.95 ea.

## Plastic Armrests



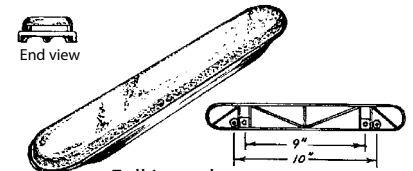
**BEST BUY**  
End view  
end view  
full armrest

Full Length  
Grey  
9" Hole Spacing  
Theradyne, E&J  
170-044 \$3.90 ea.



**BEST BUY**  
End view  
end view  
full armrest

Full Length  
Beige  
10" Hole Spacing  
170-096 \$3.90 ea.



End view

Full Length  
Blue, Grey, Cocoa or Black  
9" & 10" Hole Spacing  
Theradyne, E&J, Invacare,  
Colson  
171-0CL \$6.85 ea.



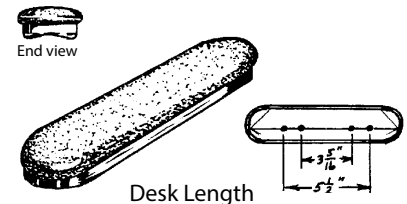
End view

Full Length  
Blue, Beige, Black, or Grey  
9" & 10" Hole Spacing, 2 piece,  
Theradyne, E&J, Invacare,  
Colson  
171-1CL \$5.39 ea.



End view

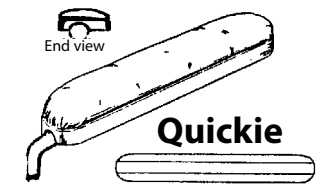
Desk Length  
Blue, Grey, Cocoa, Black  
3<sup>5</sup>/<sub>16</sub>", 5<sup>1</sup>/<sub>2</sub>" & 6"  
Hole Spacing  
Universal  
172-1CL \$6.85 ea.



End view

Desk Length  
Blue, Grey, Black or Beige  
3<sup>5</sup>/<sub>16</sub>" & 5<sup>1</sup>/<sub>2</sub>"  
Hole Spacing  
Universal  
172-2CL \$5.52 ea.

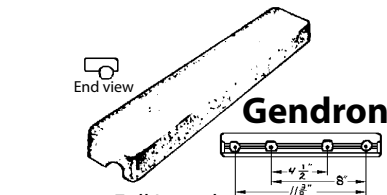
## Padded Armrests



End view

**Quickie**

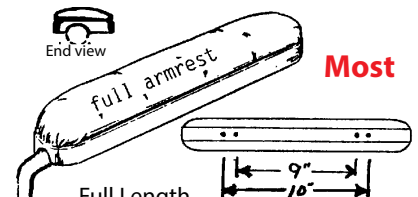
Full and Desk Length  
Colors: Black Only  
3<sup>1</sup>/<sub>2</sub>" & 6<sup>7</sup>/<sub>8</sub>" Hole Spacing  
173-346 Full Length \$9.95 ea.  
174-346 Desk Length \$9.95 ea.



End view

**Gendron**

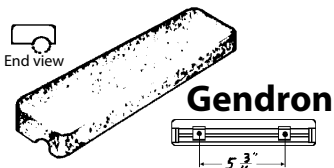
Full Length  
Grey, Black, Brown & Burgundy  
4<sup>1</sup>/<sub>2</sub>", 8" & 11<sup>3</sup>/<sub>8</sub>" Hole Spacing  
174-2CL \$26.84 ea.



End view

**Most**  
full armrest

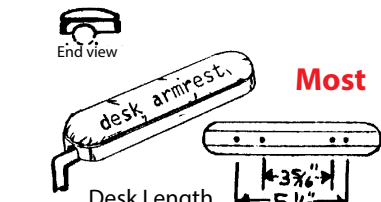
Full Length  
Colors: See Below  
9" & 10" Hole Spacing  
Universal, Black Base  
173-4CL \$5.95 ea.



End view

**Gendron**

Desk Length  
Grey, Black, Brown &  
Burgundy  
5<sup>3</sup>/<sub>16</sub>" Hole Spacing  
173-1CL \$18.95 ea.



End view

**Most**  
desk armrest.

Desk Length  
Colors: See Below  
3<sup>5</sup>/<sub>16</sub>" & 5<sup>1</sup>/<sub>2</sub>" Hole Spacing  
Universal, Black Base  
174-4CL \$5.95 ea.



End view

Desk Length  
Colors: Limited please call  
for availability.  
3" Hole Spacing  
Theradyne  
**Limited Quantities and  
Colors Available**  
174-1CL \$9.50 ea.

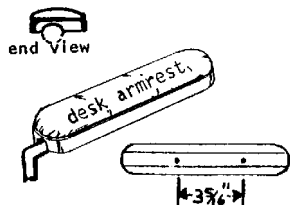
### Attention!

All Armrests come with attaching hardware. If you would like to purchase extra hardware see the next page for the armrest hardware kits. If you can not find the armrest you are looking for please give us a call toll free **800-328-5343** and we will be happy to assist you.

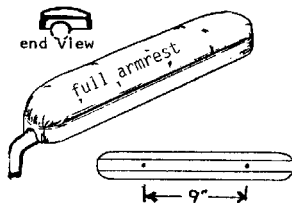
**Colors for Padded Armrests Above:** 67 Dark Blue, 68 Royal Blue, 64 Light Blue, 86 Walnut, 83 Nutmeg, 82 Camel, 23 Mauve, 27 Burgundy, 54 Cactus, 57 Jade, 46 Black or 44 Grey

See Page 159 for Color Samples

## MRI Non-Magnetic Armrests



Desk Length Armrest  
Padded with Brass Inserts  
for MRI Wheelchairs  
27-Burgundy or 50-Green  
3<sup>5</sup>/<sub>16</sub>" Hole Spacing  
179-2CL \$19.52 ea.



Full Length Armrest  
Padded with Brass Inserts for  
MRI Wheelchairs  
27-Burgundy or 50-Green  
9" Hole Spacing  
179-1CL \$18.83ea.

## Armrest Hardware Kits



### Armrest Screws

Invacare Chairs  
10/32" x 1<sup>1</sup>/<sub>4</sub>" Phillips Pan  
Head  
178-102 \$.23 ea.

E&J Chairs  
10/32" x 1<sup>1</sup>/<sub>4</sub>" Phillips  
Oval Head  
178-103 \$.23 ea.

Geri-Chairs  
10/24" x 1<sup>1</sup>/<sub>4</sub>" Phillips  
Pan Head  
178-101 \$.23 ea.

### Hardware Kit

Invacare  
50 ea. 178-102  
178-201 \$7.00 set

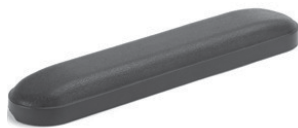
E&J  
50 ea. 178-103  
178-202 \$7.00 set

Geri-Chair  
30 ea. 178-101  
178-200 \$7.00 set



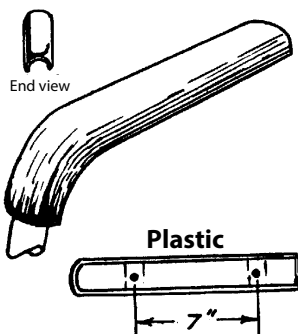
Large  
Hardware  
Kit  
50 ea. 178-102  
50 ea. 178-103  
20 ea. 178-101  
178-203  
\$15.70 set

## Urethane Armrests



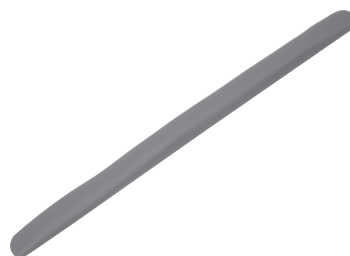
Full Length Armrest 13-3/4"  
Black Only  
2"; 6-13/16"; 8-15/16"; 10"  
Hole Spacing  
175-346 \$10.30 ea.

Desk Length Armrest 10-1/4"  
Black Only  
3-5/16"; 5-1/2"; 6-15/16"  
Hole Spacing  
175-246 \$10.30 ea.



Full Length Armrest  
Black or White  
7" Hole Spacing  
Lumex, Temco Geri-Chair  
176-0CL \$4.95 ea.

## Geri-Chair/Recliner Armrests



Armrest for Lumex  
573/574 Models  
7<sup>1</sup>/<sub>2</sub>" - 7<sup>15</sup>/<sub>16</sub>" - 7<sup>1</sup>/<sub>2</sub>"  
Hole Spacing  
299-901-CL \$24.95 ea.  
Specify color from page 159



Armrest/Skirt for Lumex  
565G, 565PG & 565WG Models  
7" - 7<sup>5</sup>/<sub>8</sub>" - 7"  
Hole Spacing  
307-168 Left \$66.95 ea.  
307-169 Right \$66.95 ea.  
Specify color from page 159

### Attention!

All Armrests come with attaching hardware. If you would like to purchase extra hardware see above for the armrest hardware kits. If you can not find the armrest you are looking for please give us a call toll free 800-328-5343 and we will be happy to assist you.

## Arm Trough

- › Available in two standard lengths
- › Desk Arms 9"x5"x5"
- › Full Arms 12"x5"x5"
- › Special sizes available upon request



Armrest Pads \$50.05 ea.  
Full Arm 194-8CL  
Desk Arm 194-7CL

Specify color from page 159

## Wrap Around Armrest Pads

Made with, 1<sup>1</sup>/<sub>2</sub>" foam, 2" velcro, and ties for attaching to arms. Aids in positioning of the patient.



Armrest Pads \$42.39 ea.  
Full Arm 194-5CL  
Desk Arm 194-6CL

Specify color from page 159